



## **MAKES SPOT REPAIRS EASY**

The ShoreLite Lite™ modular aluminum shielding / shoring system is built strong yet light enough to be assembled by hand. P. E. Certified to meet O. S. H. A. requirement for a shielding and/or shoring.

## **EASY STORAGE**

Lightweight & Modular, these panels can be stored in a small space and easily transported in a pickup truck or van.

## **FAST ASSEMBLY**

Easy to assemble and fast to install. Single profile 2.5" stack able panels come 3' high and various lengths. Two men without assistance of a tractor backhoe can easily do assembly of the ShoreLite Lite™.

*You are also given the flexibility of making a 2, 3, or 4 sided system to suit your needs up to 12' tall and 7' long.*

## **Accessories**

**Spreaders** - Durable 3" Schedule 40 pipe.

**Durable Action Screw Strut** - Screw out the struts in the trench for easy shoring. Easy to utilize and highly effective.

**Wheel Kits** - Suspend the shield and easily roll it along the top of the trench.

**Leg Kits** - Clamps on the bottom of the end caps at each corner giving you a 24" lift off the bottom of the trench.

**Square Connectors** - Can easily be attached to convert a two-sided box to a three-sided and (or) four-sided box.



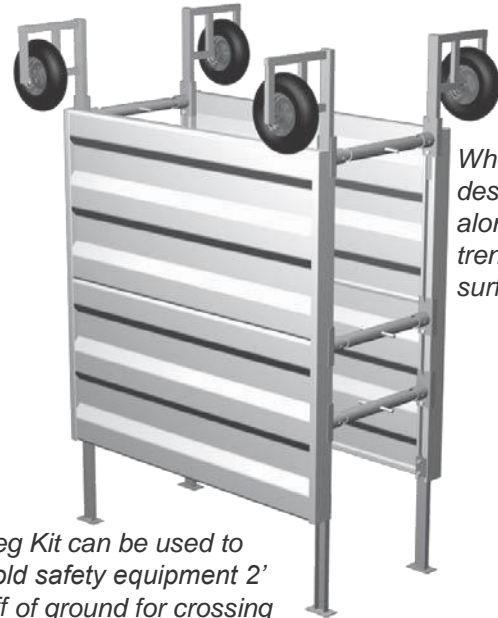
## **Kits come equipped with standard required connectors**

3' Tall Kits require 4 Spreaders, Screw Struts, or 8 Square Connectors

6' Tall Kits require 6 Spreaders, Screw Struts, or 12 Square Connectors

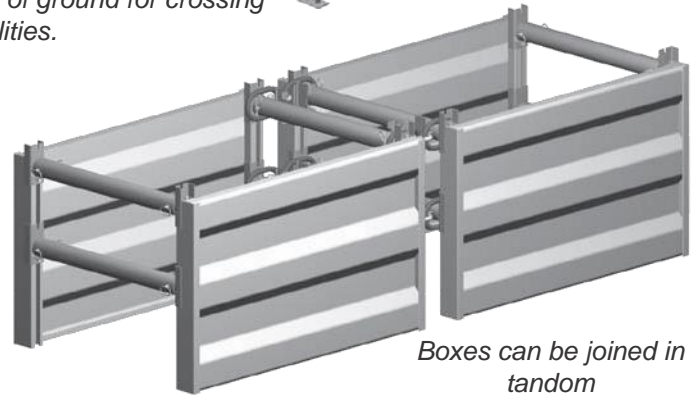


**Simple Modular Assembly**



Leg Kit can be used to hold safety equipment 2' off of ground for crossing utilities.

Wheel Kits are designed to ride along the edge of a trench on a smooth surface.



Boxes can be joined in tandem

Note: ShoreLite Lite system must be fully assembled before use.

Your unique jobs are possible with the ShoreLite Lite.

**3' ShoreLite Lite**



(Spreaders not included)

2 Aluminum Panels  
8 Panel Connectors

**6' ShoreLite Lite**



(Spreaders not included)

4 Aluminum Panels  
12 Panel Connectors  
1 Stacking Connector

**9' ShoreLite Lite**



(Spreaders not included)

6 Aluminum Panels  
12 Panel Connectors  
2 Stacking Connector

Side Wall Set	Wgt.
SLL - 3' X 5'	150 LB.
SLL - 3' X 6'	168 LB.
SLL - 3' X 7'	188 LB.

Side Wall Set	Wgt.
SLL - 6' X 5'	290 LB.
SLL - 6' X 6'	326 LB.
SLL - 6' X 7'	366 LB.

Side Wall Set	Wgt.
SLL - 9' X 5'	430 LB.
SLL - 9' X 6'	484 LB.
SLL - 9' X 7'	544 LB.

Spreaders Sold Separately

**Accessories**

Spreaders - 3' sch 40 pipe, 18" to 120"

Spreader Adjusters - in addition to standard spreaders, adding 2' of adjustment every 6"

Square Connector - join 2 ShoreLite Lite systems to make one 4 sided system for complete coverage

Stacking Connector - connectors come with 6' and 9' systems. Individual kits can be purchased

Tandem System - join two boxes together horizontally

Polyester Slings - 5' and 8' legs with 60 degree rating of 900 - 18,200 lb.



\*ALL INFORMATION SUBJECT TO CHANGE WITHOUT NOTICE.

Dealer: Iron Lot, LLC 2731 Huffman Mill Road Burlington, NC 27215 phone: 336-516-8011 web: [www.ironlot.com](http://www.ironlot.com)